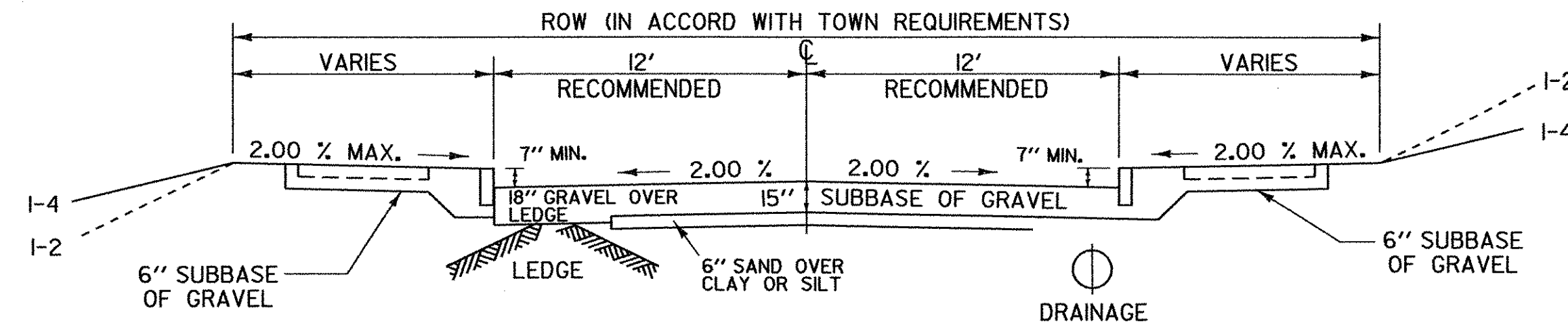
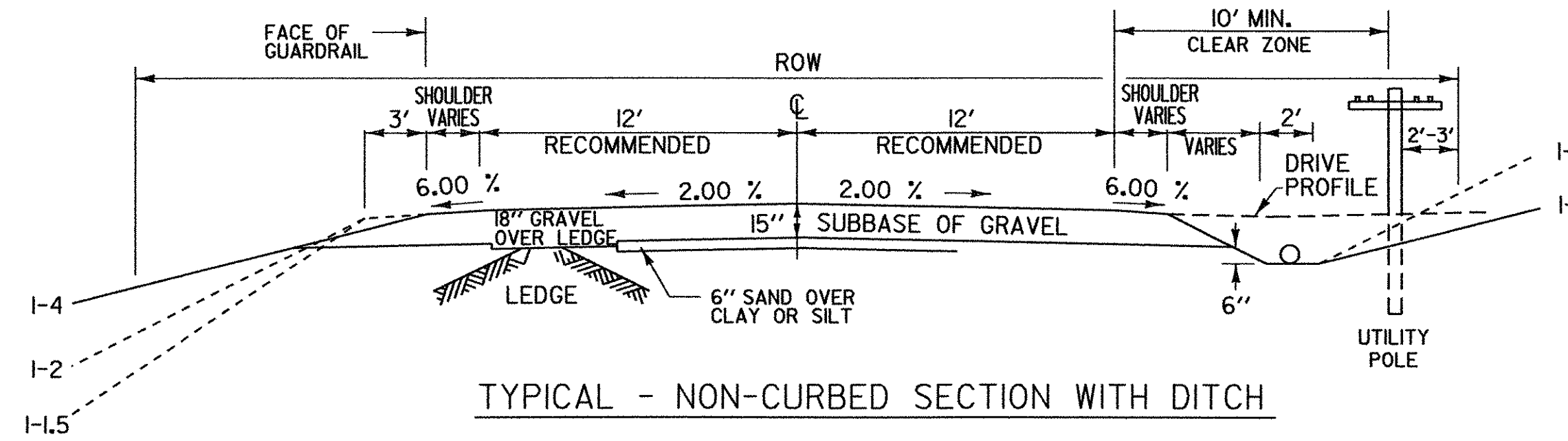


ROADWAY TYPICALS

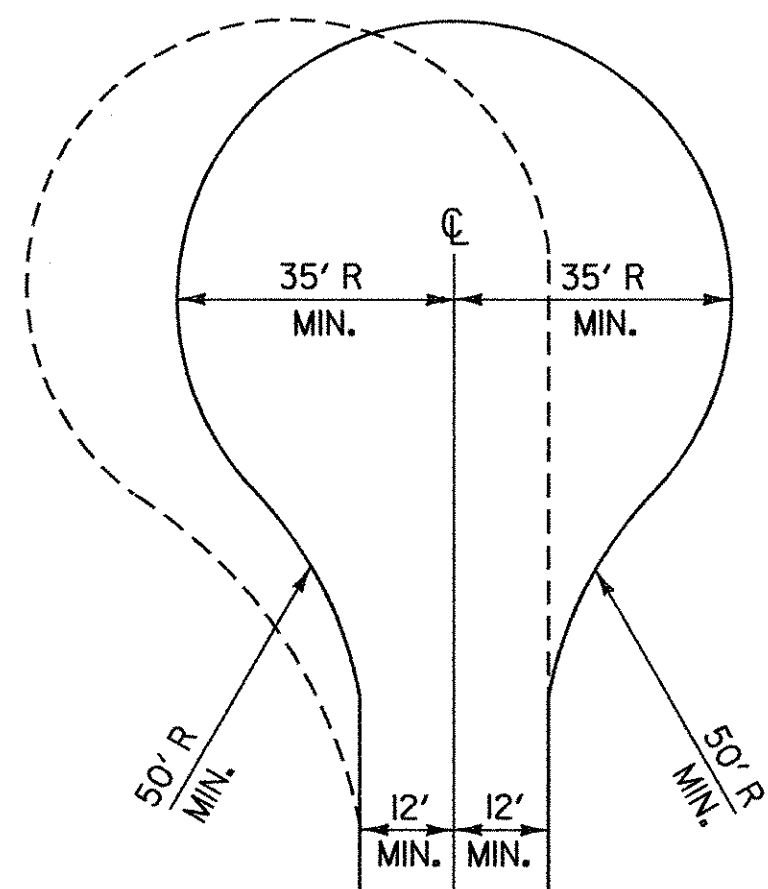


TYPICAL - CURBED SECTION WITH 5' SIDEWALKS

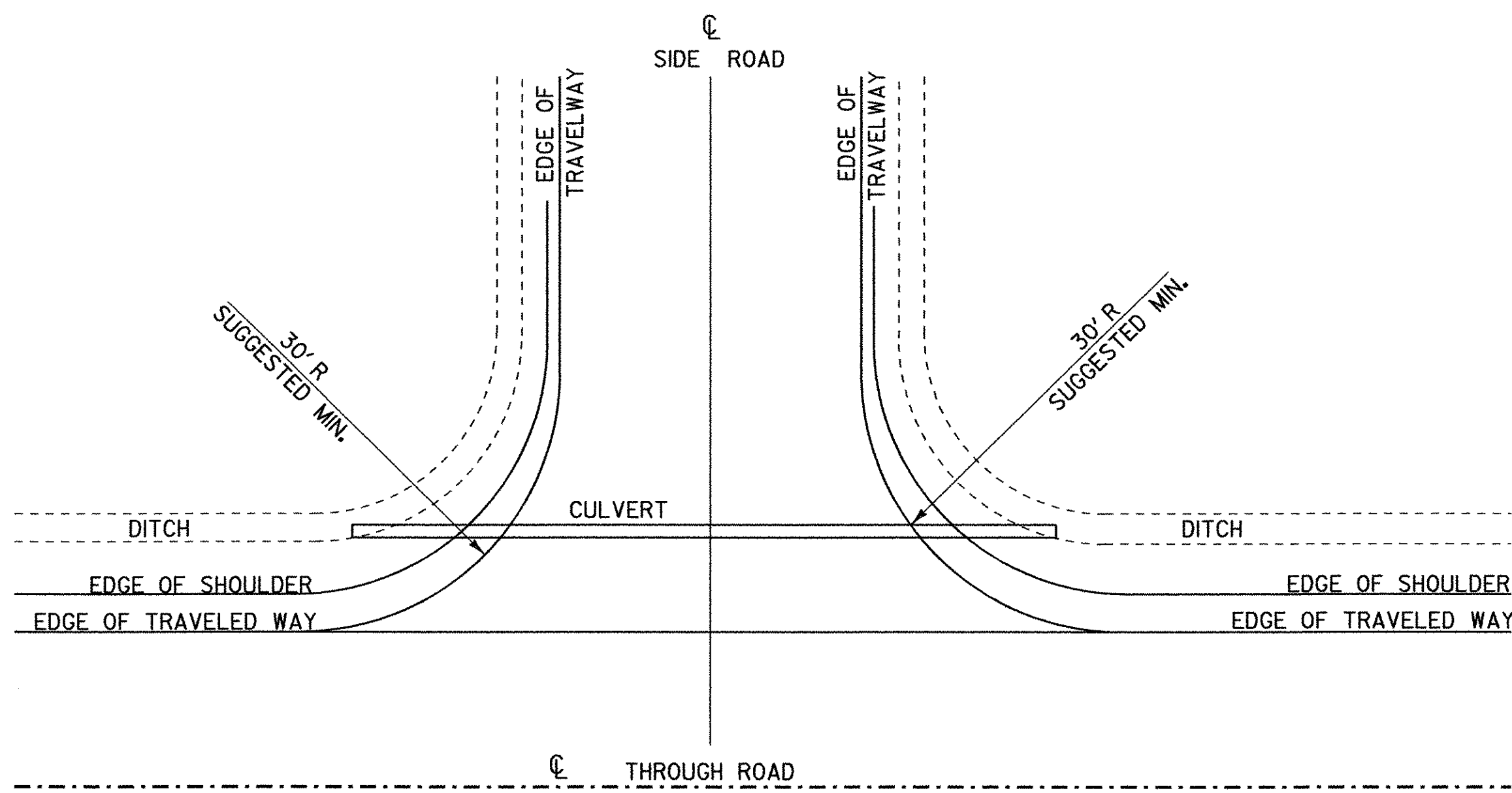


TYPICAL - NON-CURBED SECTION WITH DITCH

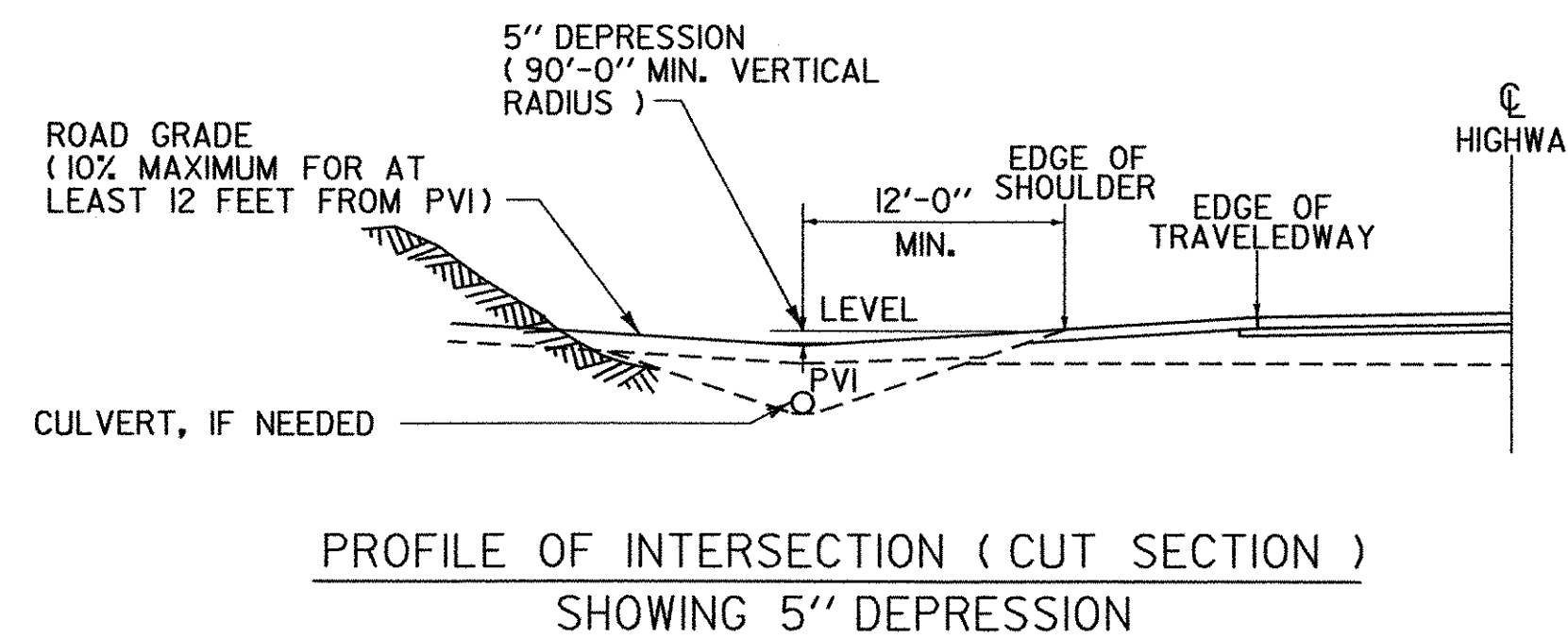
CUL-DE-SAC FOR DEAD END ROADS



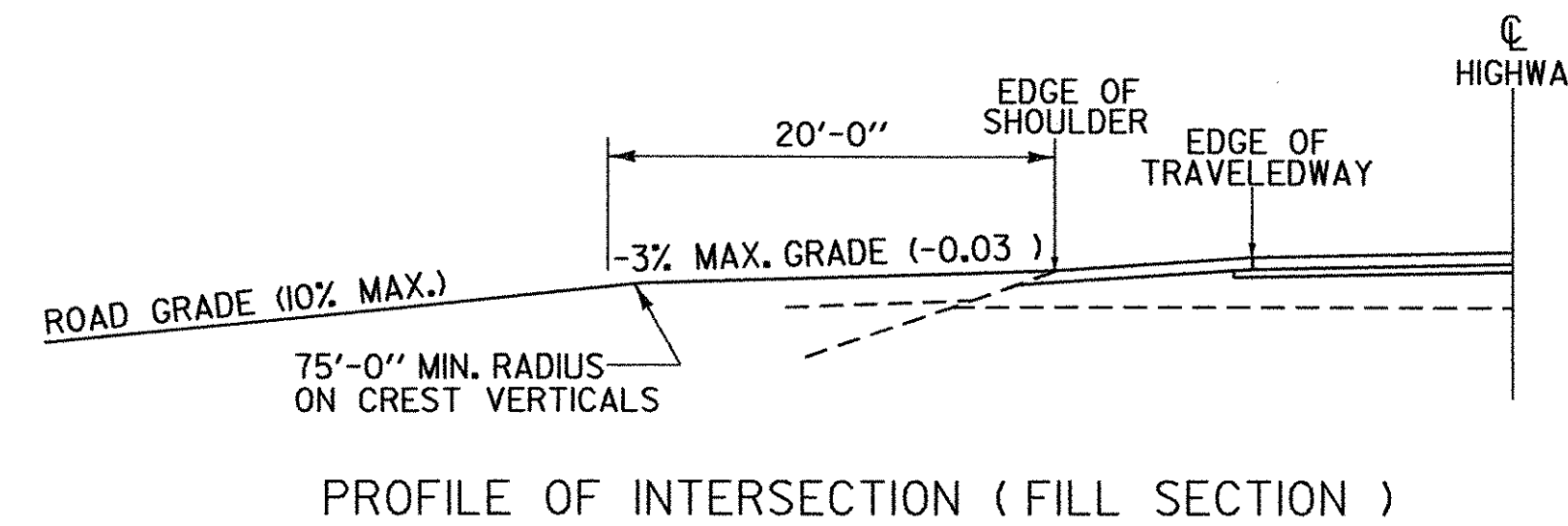
INTERSECTION OF THROUGH ROAD AND SIDE ROAD



FOR THROUGH ROADS WITH SIDEWALKS & CURBING, SEE STANDARDS C2 & C3.
PROVIDE DROP INLETS ON EACH SIDE OF SIDE ROAD AT INTERSECTION AS NECESSARY.



PROFILE OF INTERSECTION (CUT SECTION)
SHOWING 5" DEPRESSION



PROFILE OF INTERSECTION (FILL SECTION)

GENERAL NOTES FOR LOCAL ROADS

1. SUBBASE, SAND CUSHION AND SUBGRADE SHOULD BE CONSTRUCTED AND COMPACTED TO THE DIMENSIONS SHOWN IN ACCORDANCE WITH VAOT STANDARD SPECIFICATIONS FOR CONSTRUCTION. WHERE LOCAL ORDINANCES HAVE BEEN ADOPTED RELATIVE TO ROAD DIMENSIONS AND CONSTRUCTION, THEY SHOULD GOVERN. THE DIMENSIONS SUGGESTED ARE INTENDED TO BE APPLIED ONLY IN LOW TRAFFIC VOLUME CONDITIONS (AVERAGE DAILY TRAFFIC LESS THAN 250 VEHICLES PER DAY), AND WHERE HEAVY TRUCK TRAFFIC IS INFREQUENT.
2. EXPOSED EARTH SLOPES SHOULD BE SEEDED, FERTILIZED AND MULCHED IN ACCORDANCE WITH VAOT STANDARD SPECIFICATIONS FOR CONSTRUCTION.
3. DRAINAGE:
 - ROADWAY - 18" MINIMUM DIAMETER, OF METAL, REINFORCED CONCRETE OR POLYETHYLENE PIPE, WITH DROP INLETS OR CATCH BASINS, AS REQUIRED. HYDRAULIC ANALYSIS TO DETERMINE APPROPRIATE PIPE DIAMETER IS RECOMMENDED FOR ALL LIVE STREAM CROSSINGS AND ELSEWHERE WHERE LARGE STORM FLOWS MAY BE EXPECTED.
 - DRIVES - 15" MINIMUM DIAMETER, OF METAL, REINFORCED CONCRETE OR POLYETHYLENE PIPE.
 - UNDERDRAIN - 6" MINIMUM DIAMETER, OF METAL, PVC PLASTIC OR POLYETHYLENE PIPE.
4. HORIZONTAL CURVATURE - THE FOLLOWING WILL APPLY:

DESIGN SPEED	MINIMUM RADII RURAL ①	MINIMUM RADII URBAN ②
25 MPH	185 FT.	180 FT.
30 MPH	275 FT.	300 FT.
35 MPH	380 FT.	460 FT.
40 MPH	510 FT.	675 FT.
45 MPH	660 FT.	945 FT.
50 MPH	835 FT.	1280 FT.

- ① BASED ON CROSS SLOPE = 6.0 %
 - ② BASED ON MAINTAINING NORMAL CROWN SECTION THROUGHOUT CURVE : EFFECTIVE CROSS SLOPE = 2.0 %
- FOR OTHER SUPERELEVATION RATES, SEE CHAPTER III OF THE AASHTO "A POLICY ON GEOMETRIC DESIGN OF HIGHWAYS AND STREETS" FOR APPROPRIATE CURVE RADII.

5. GRADIENT OF ROADS - 10% MAXIMUM GRADE SUGGESTED, ALTHOUGH GRADES UP TO 16 % MAY BE ALLOWED IN MOUNTAINOUS TERRAIN.
6. GUARD RAIL - PROVIDE GUARD RAIL WITH TREATED WOOD OR STEEL POSTS, OF A DESIGN IN ACCORDANCE WITH VAOT STANDARD SPECIFICATIONS FOR CONSTRUCTION, THE AASHTO ROADSIDE DESIGN GUIDE, AND VAOT STANDARD DRAWINGS. GENERALLY, WHERE SLOPES ARE 1:3 OR STEEPER, AND THE HEIGHT OF DROPOFF AT EDGE OF SHOULDER EXCEEDS 5', GUARD RAIL SHOULD BE INSTALLED. ALSO, WHERE SLOPES ARE 1:3 OR FLATTER, GUARD RAIL MAY NOT BE NEEDED IF THE AREA AT THE BOTTOM OF THE SLOPE IS FREE OF HAZARDS. THE LOCAL VAOT DISTRICT TRANSPORTATION ADMINISTRATOR MAY BE CONTACTED FOR ASSISTANCE.
7. PAVING - ROADS WITH GRADES EXCEEDING 7% SHOULD BE PAVED UNLESS WAIVED BY THE LOCAL GOVERNING BODY. FOR TRAFFIC VOLUMES GREATER THAN, OR EQUAL TO, 250 VEHICLES PER DAY, OR WHERE HEAVY TRUCKS ARE COMMON, A PAVEMENT DESIGN SHOULD BE PERFORMED TO DETERMINE APPROPRIATE THICKNESSES OF SUBBASE AND PAVEMENT.
8. TRAVELED WAY AND SHOULDER WIDTHS - WIDTHS SHOWN ON THIS STANDARD ARE FOR LOW SPEED/LOW TRAFFIC VOLUME CONDITIONS. FOR ADDITIONAL GUIDANCE IN THE DESIGN OF LOCAL ROADS AND STREETS, SEE THE LATEST EDITION OF AASHTO'S PUBLICATION "A POLICY ON GEOMETRIC DESIGN OF HIGHWAYS AND STREETS", OR THE VAOT "VERMONT STATE STANDARDS".
9. UTILITY LINE LOCATION TO CONFORM TO LOCAL REQUIREMENTS.

REVISIONS AND CORRECTIONS
 JAN. 21, 1971 - ORIGINAL DATE OF ISSUE
 MAR. 12, 1971 - DIMENSIONS CHANGED ON TURN-A-ROUND
 JULY 13, 1973 - INTERSECTION PROFILES ADDED
 DEC. 7, 1993 - REVISED TO REFLECT CURRENT DESIGN CRITERIA
 JUNE 1, 1994 - REISSUED, WITHOUT CHANGE, UNDER NEW SIGNATURES.
 MAR. 10, 1995 - REISSUED, WITHOUT CHANGE, UNDER NEW SIGNATURES.
 MARCH 3, 2003 - REVISED TO REFLECT CURRENT DESIGN CRITERIA

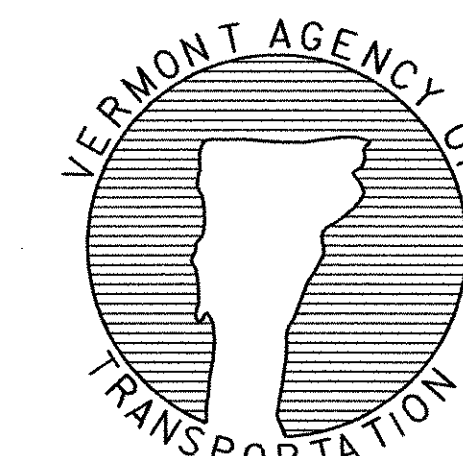
APPROVED

 DIRECTOR OF PROGRAM DEVELOPMENT

 CHIEF OF UTILITIES

 FEDERAL HIGHWAY ADMINISTRATION

STANDARDS FOR TOWN & DEVELOPMENT ROADS



STANDARD A-76