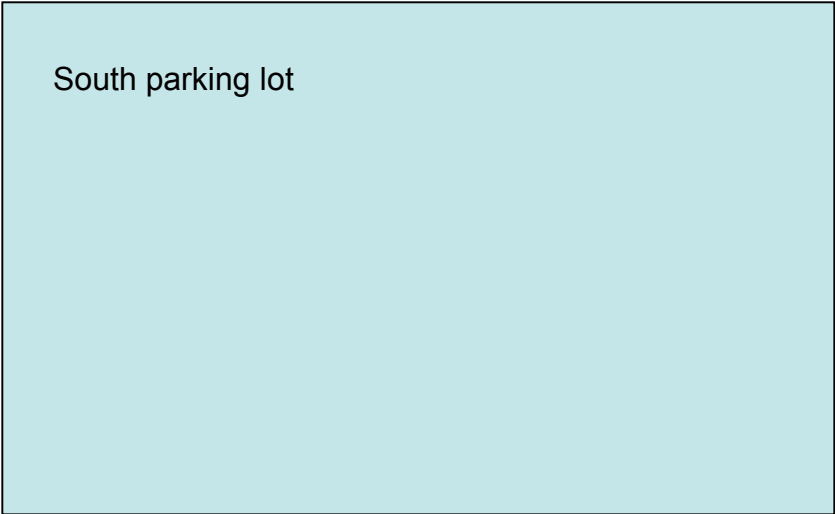
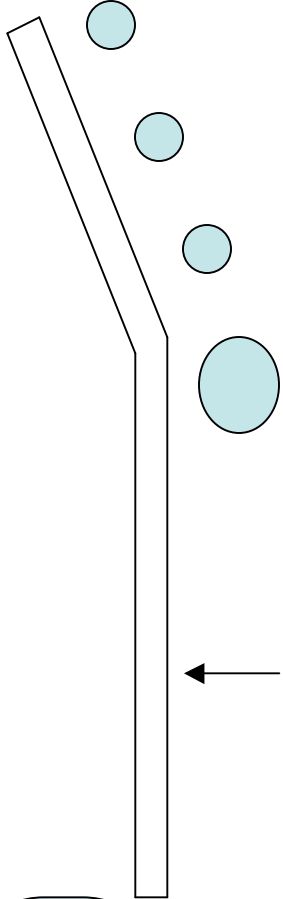


North parking lot

Typical plan view
(not to scale)

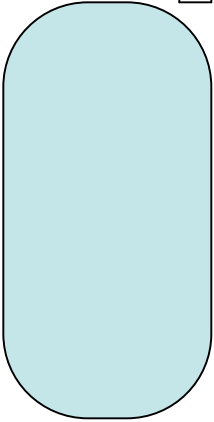


South parking lot



Serviceberry shrubs

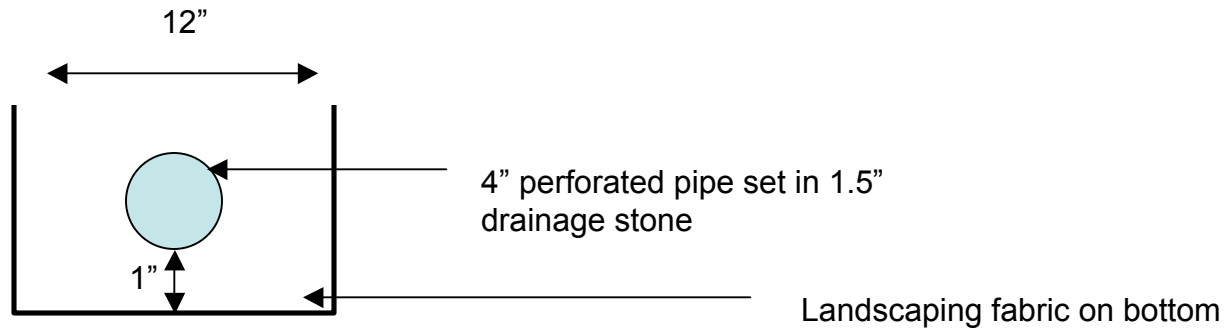
40 ft of 4" perforated pipe is set in shallow trench filled with 1.5" drainage stone. See additional drawing for specs



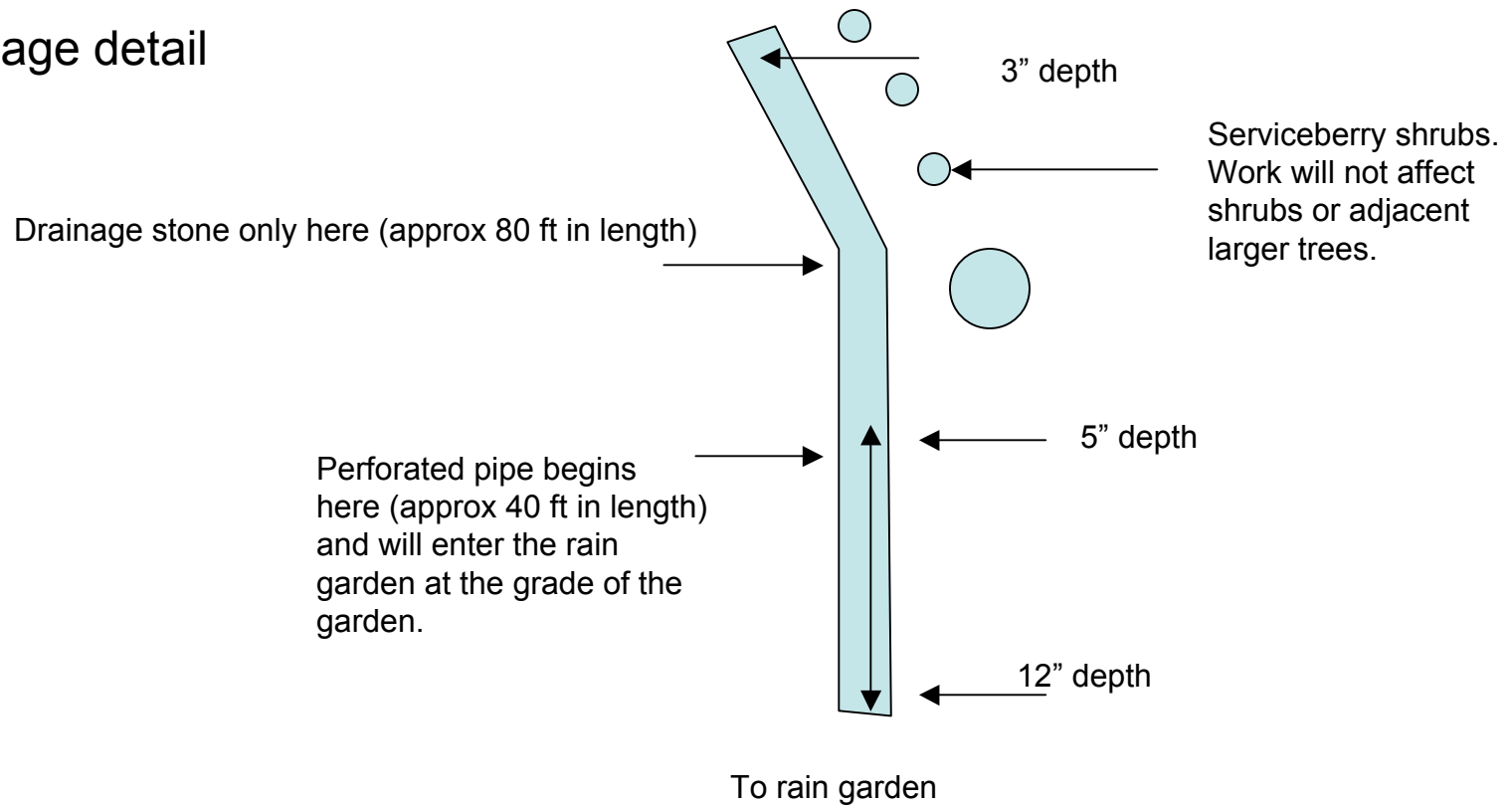
Rain garden: 150 sq ft in area, irregularly shaped, see additional drawing for specs

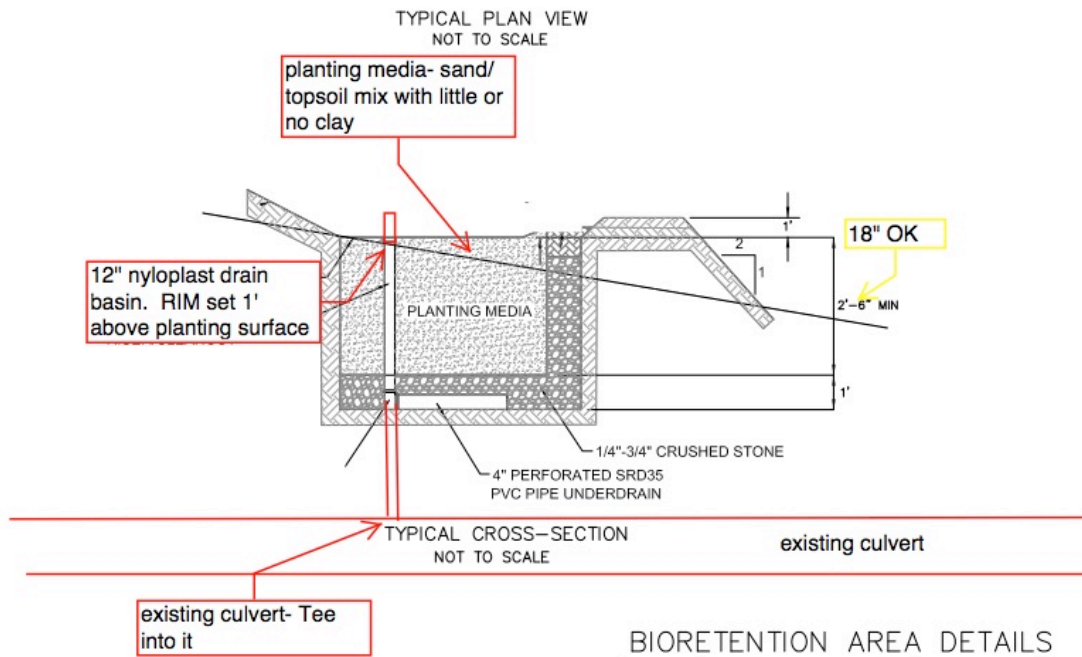
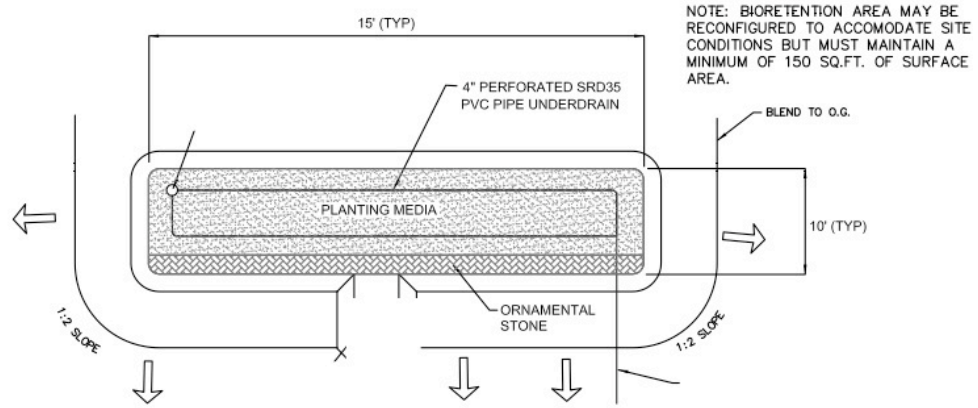
Perforated pipe detail

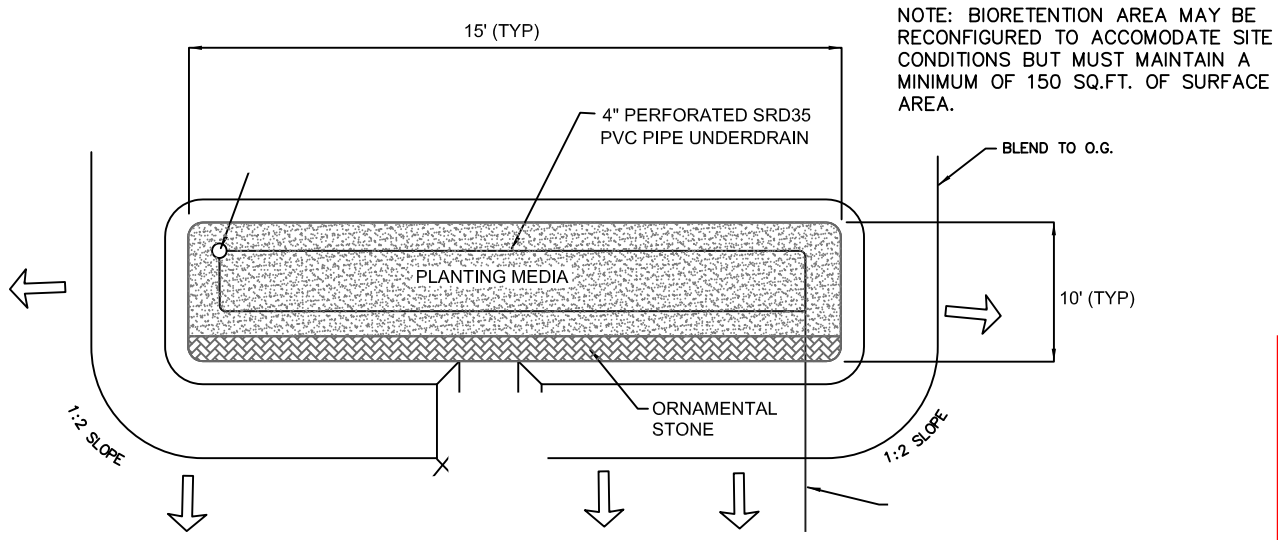
Typical plan view
(not to scale)



Drainage detail



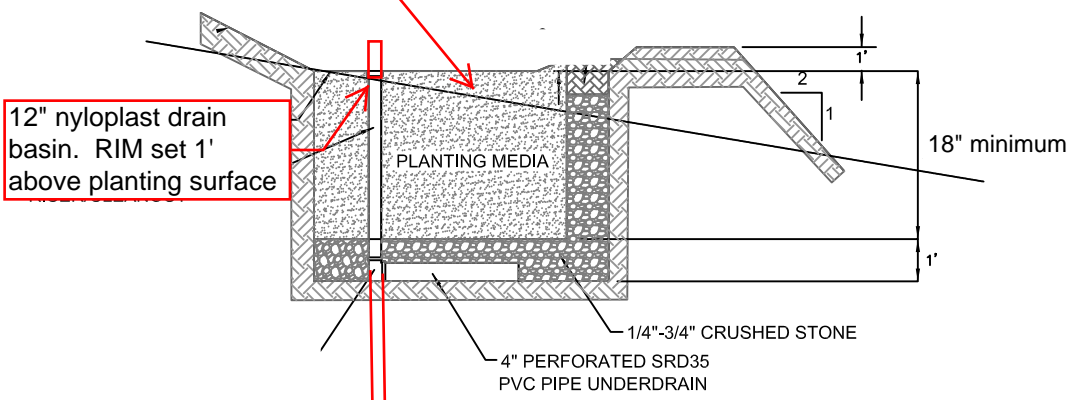




TYPICAL PLAN VIEW
NOT TO SCALE

planting media- sand/
topsoil mix with little or
no clay

Grass swale - 2' wide
base, 1' depth with
check dams leading to
garden

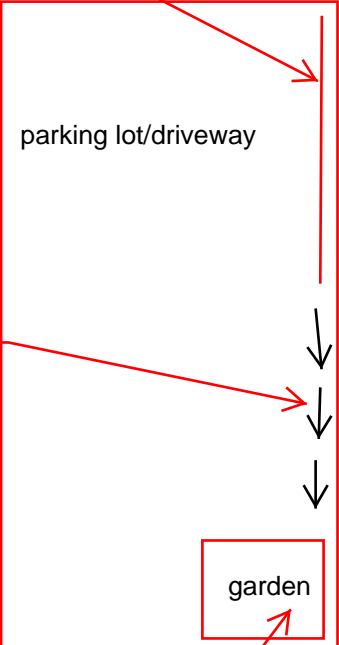


TYPICAL CROSS-SECTION
NOT TO SCALE

existing culvert

existing culvert- Tee
into it

4" high berm - to be
seeded and covered
with erosion control
mat



10 x 15 approx
set 1' into existing
grade (no berm)

BIORETENTION AREA DETAILS